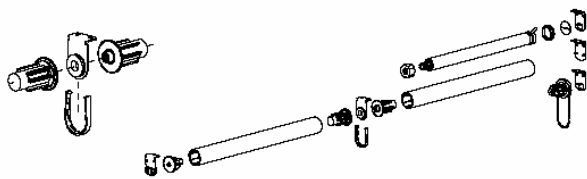




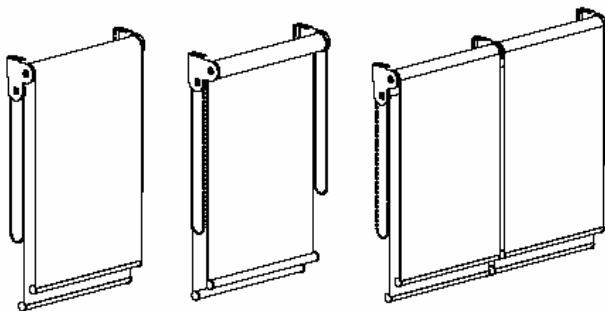
## JUST BRILLIANT



**EASY LIFT SPRING ASSIST FOR ROLLER BLINDS. NOTE MINIMUM WIDTH 800MM.**



**WITH A CENTRE BRACKET OR SIMPLY ADD A 40MM MOTOR IF YOU WANT.**



### OR TWO BLINDS ON ONE BRACKET

I HAVE INCLUDED THE ABOVE DRAWINGS FOR YOUR TECHNICAL ADVANTAGE. THE FIRST TWO ARE SIMPLICITY ITSELF. OUR 43MM TUBE WITH AN EASY-LIFT SPRING. PRICE \$45.00. JOIN TWO BLINDS FOR AN EXTRA \$75.00. OR TAKE IT A STEP FURTHER AND ADD A 40MM SOMFY MOTOR (SPRING ASSIST THEN NOT REQUIRED) FOR A SPECIAL INTRODUCTORY PRICE OF \$500.00. THIS DOES NOT INCLUDE SWITCHES, ELECTRICAL CONNECTION OR INSTALLATION, BUT IT IS STILL AN ABSOLUTE BARGAIN. MAXIMUM BLIND SIZE IS ABOUT 2000 X 2500, BUT YOU CAN JOIN UP TO THREE BLINDS ON THE ONE MOTOR. REMEMBER EACH BLIND YOU ADD IS \$75.00 EXTRA FOR THE CENTRE BRACKET BUT THIS IS A VERY GOOD DEAL FOR ALL THIS AND SOMFY QUALITY MOTORS. SOME CONDITIONS WILL APPLY. THE ABOVE COSTS ARE RETAIL AND OUR NORMAL MOTORISED DISCOUNT WILL APPLY. THIS IS A LIMITED OFFER EXTENDED UNTIL END OCTOBER.

### NEW SPACING ON STONE AND WINTERGRASS.

As we promised earlier, we have revised the spacing on Stone, Wintergrass (both now in stock). These popular weaves can now be made as conventional romans, ie they can have a front pelmet and the fabric down the back. We are starting to not put bottom flaps on Wintergrass and Stone because of the weight of the fabric and we are suggesting that you avoid blinds over about 4 square metres as this fabric is really heavy.

### MELBOURNE SHOWROOM

WE HAVE MOVED OUR MELBOURNE SHOWROOM. WE ARE CURRENTLY RELOCATING IT TO SHEPPARTON AND WILL ADVISE YOU OF THE DETAILS AS SOON AS IT IS SETTLED. MEANWHILE GLENN IS AVAILABLE TO ASSIST YOU IN ANY WAY HE CAN. HIS PHONE NUMBER IS 0407370913.

# NEWSLETTER

## October 2004

### CHINOIS REED.

THIS POPULAR WEAVE WILL BE AVAILABLE AGAIN AS YOU GET THIS NEWSLETTER. IT IS EVER SO SLIGHTLY DIFFERENT SO ASK FOR AN UPDATED SAMPLE PLEASE. ALSO NOTE THAT IT WILL ONLY BE AVAILABLE IN 2500MM WIDTH.

### NEW SCREEN RANGE.

WE ARE CURRENTLY REPLACING MERMET 4105 WITH MERMET 8505. SAME FABRIC, NEW NUMBER PLUS 32 COLOURS, SOME OLD, MANY NEW. THERE WILL ALSO BE NEW FLOCKE SAMPLES AND A NEW FABRIC CALLED FIZ AND OBION WHICH ARE ECONOMICAL, SIMPLE TRANSLUCENT FABRIC. FIZ HAS NO BACKING AND OBION IS A ONE PASS, SO IT'S LIGHT FILTERING. SAMPLES WILL BE SENT TO YOU DIRECTLY FROM MERMET. WATCH OUT FOR THESE. FIZ WILL BE PRICED IN GROUP 1 ROLLSCREEN AND OBION WILL BE GROUP 2. IF YOU HAVEN'T RECEIVED THESE OR REQUIRE MORE SAMPLES PLEASE CALL MARY.

### CRESCENDO FABRIC UPDATE.

WE HAVE DISCONTINUED TWO OF THE CRESCENDO FABRICS. THEY ARE PALLADIA CRYSTAL (NO STOCK LEFT) AND PALLADIA BUFF (STILL A SMALL AMOUNT AVAILABLE). MIRABELLA, WHICH WE FIRST SHOWED AT DESIGNEX, IS NOW READY FOR RELEASE. SAMPLES ARE BEING MADE AS WE SPEAK. THIS WAS THE CRUSHED SILK LOOK FABRIC THAT MANY OF YOU REALLY LIKED. THERE IS A SMALL CUTTING IN THIS ENVELOPE.

### NEW FABRICS

WE HAVE SOME NEW GRASSWEAVES THAT ARE VERY DIFFERENT TO ANYTHING YOU HAVE SEEN BEFORE.

### NEW PRICE LIST

IT'S NOT DONE YET, BUT IT WILL BE BIG AND FULL OF INFORMATION.

### VERANDAH BLIND.

WHILE MOST OF YOU KNOW THAT WE DO NOT DO EXTERIOR BLINDS, THIS IS SO EXCEPTIONAL THAT I HAVE TAKEN THE AGENCY. KEEP AN EYE OUT FOR THE BROCHURE ON THIS NEW PRODUCT.

### SHEERWEAVE 5000

THIS IS NOW AVAILABLE. PRICE IS GROUP 2 ROLLSCREEN. THIS STUNNING POLYESTER/PVC FABRIC IS REALLY SMART.

### CHRISTMAS.

IS IT THAT TIME OF YEAR ALREADY? WE ARE CONSTANTLY WORKING ON OUR OUTPUT. WE HAVE A NEW FACTORY MANAGER, DAVID MARTLAND, WHO IS DOING A GREAT JOB AND WITH STEVE AND CHARLIE BACKING HIM UP, OUR QUALITY AND OUTPUT IS ON TRACK FOR XMAS.

### WE WON

A LOT OF YOU KNOW THAT KART RACING IS A BIG PART OF OUR LIFE. DAMIEN'S RACING IS A LOT OF FUN FOR ALL OF US AND HE'S PRETTY GOOD AT IT. IN SEPTEMBER HE HAD A SECOND AT OUR NATIONAL TITLES AND FOLLOWED IT UP WITH A FANTASTIC WIN AT OUR NSW STATE TITLES. IN OCTOBER HE'S OFF TO WA FOR A CRACK AT THEIR STATE CHAMPIONSHIPS.

### OUR INDUSTRY

ITS EXCITING TIMES IN THE BLIND INDUSTRY. NEW FABRICS, NEW SYSTEMS AND BETTER QUALITY. THE BLIND INDUSTRY IS GROWING AT THE EXPENSE OF CURTAINS IN MANY INSTANCES. WE ARE REALLY PLEASED TO BE AT THE FOREFRONT OF THIS REVOLUTION.

### WEBSITE

**Make this the year you learn about motorisation**



I'M ALWAYS UPDATING OUR WEBSITE. YOU SHOULD KEEP AN EYE ON IT. IT'S A GREAT SOURCE OF INFORMATION AND I TEND TO POST PHOTOS THERE BEFORE ANYWHERE ELSE SO IT WILL KEEP YOU FULLY UP TO DATE.

# NEWSLETTER

## October 2004

**Make this the year you learn about motorisation**